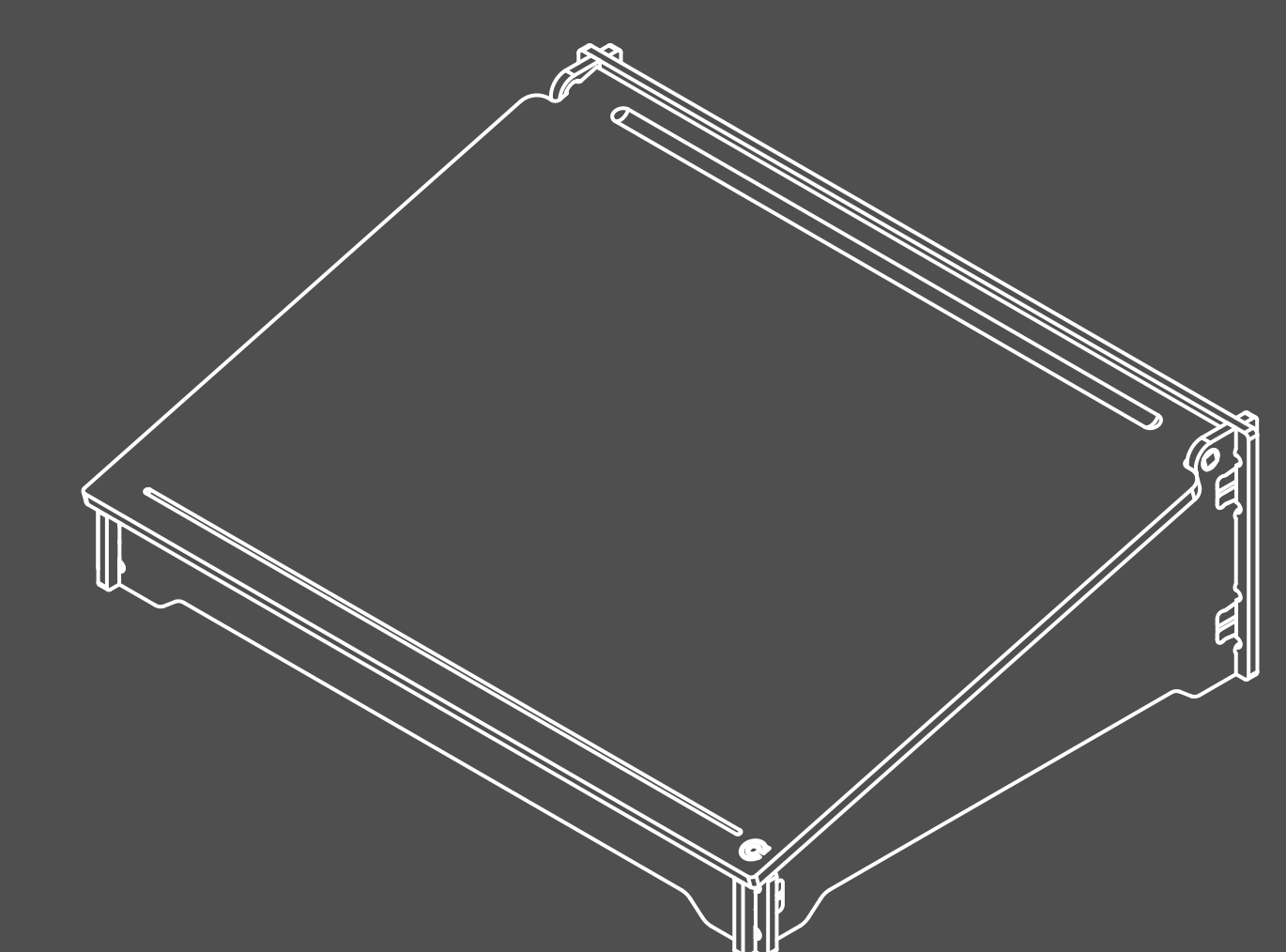
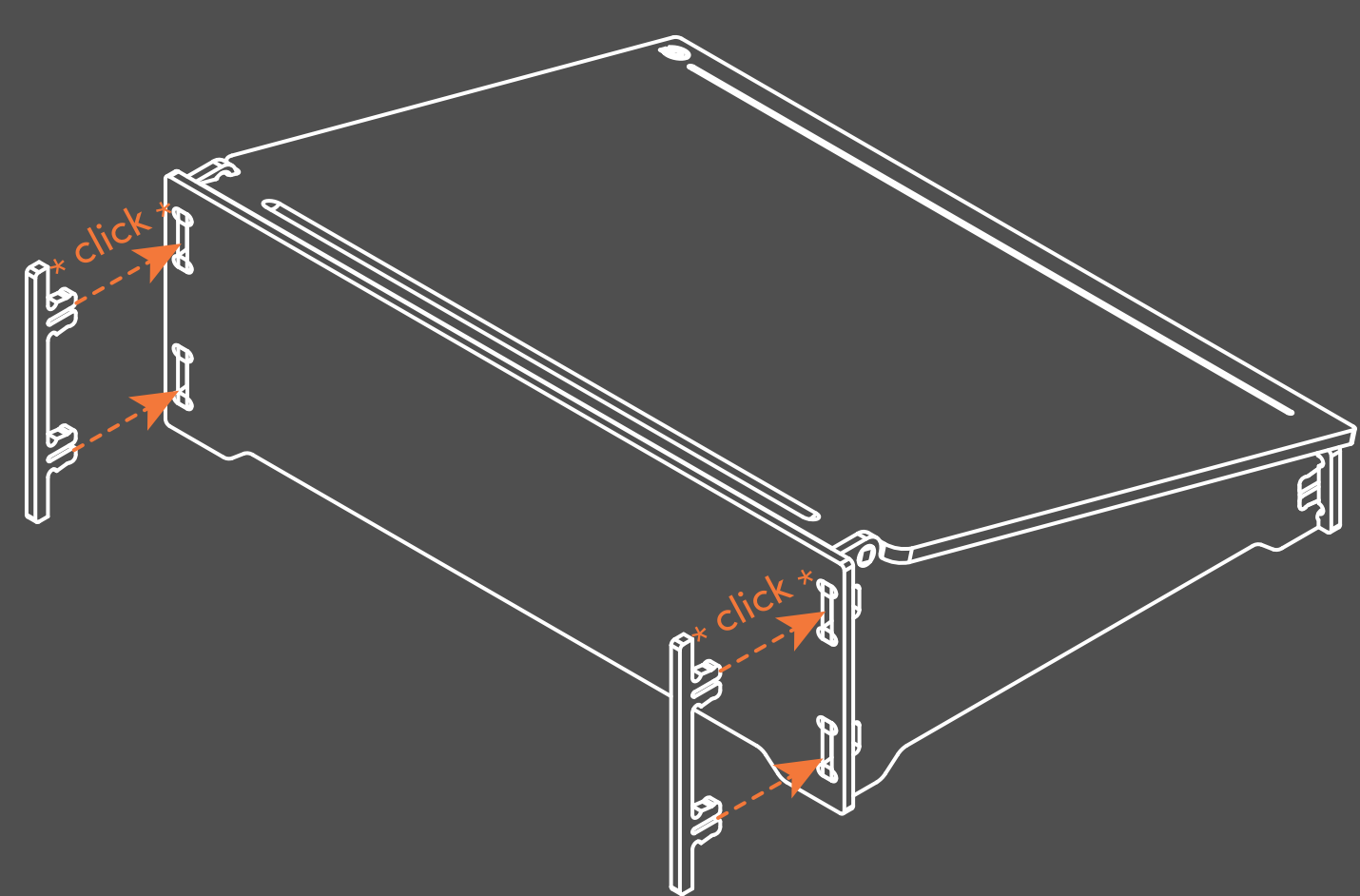
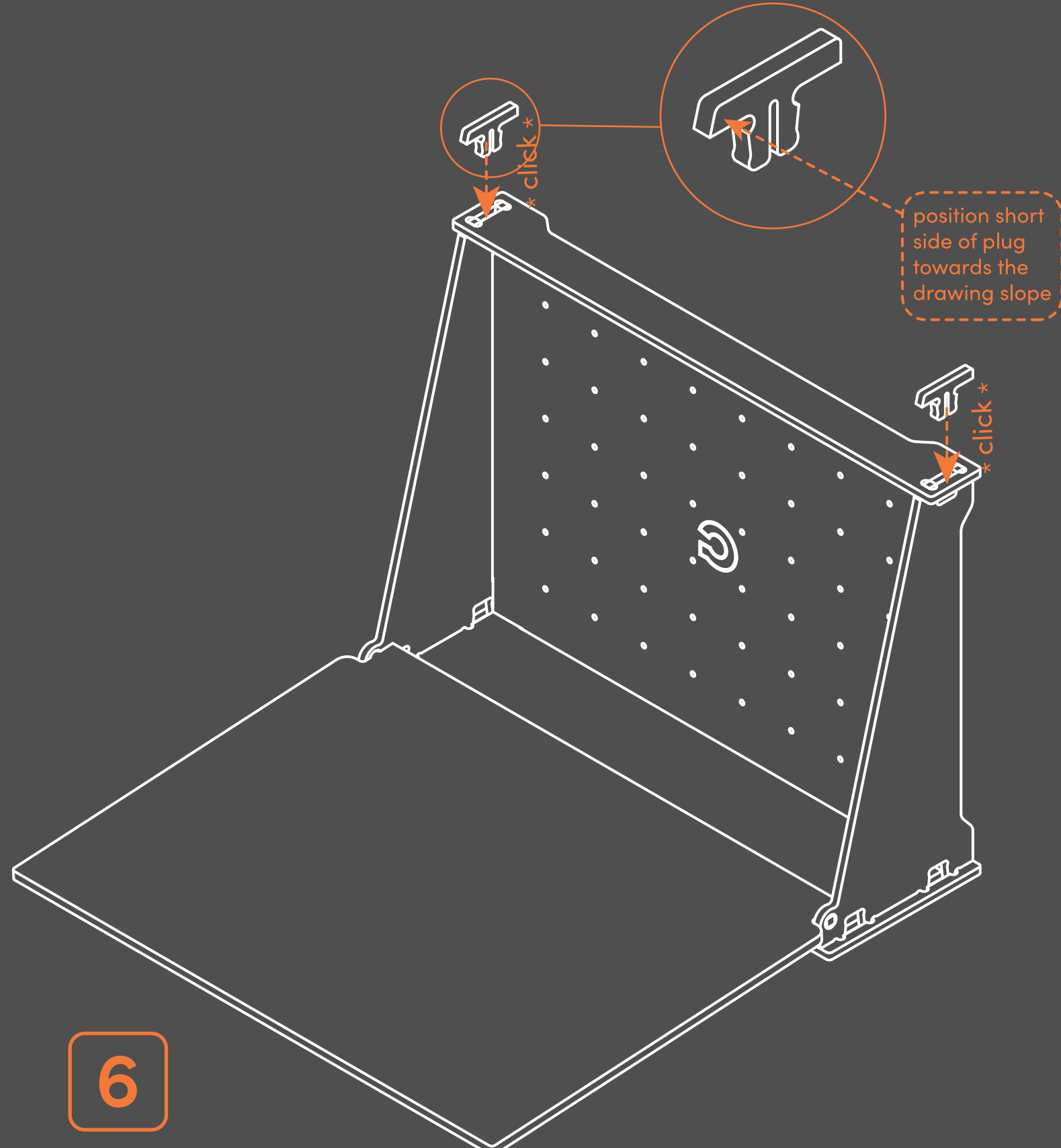
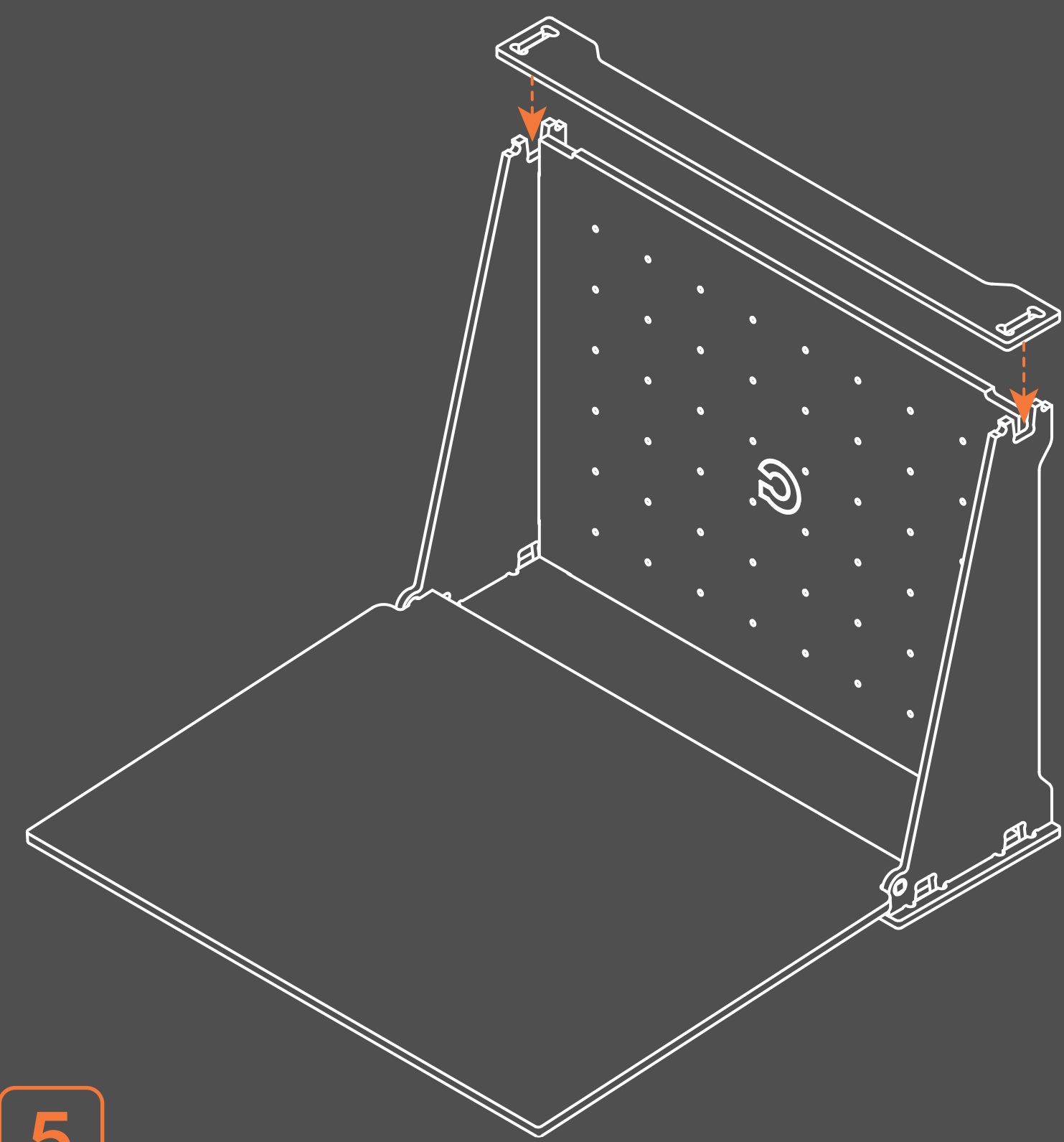
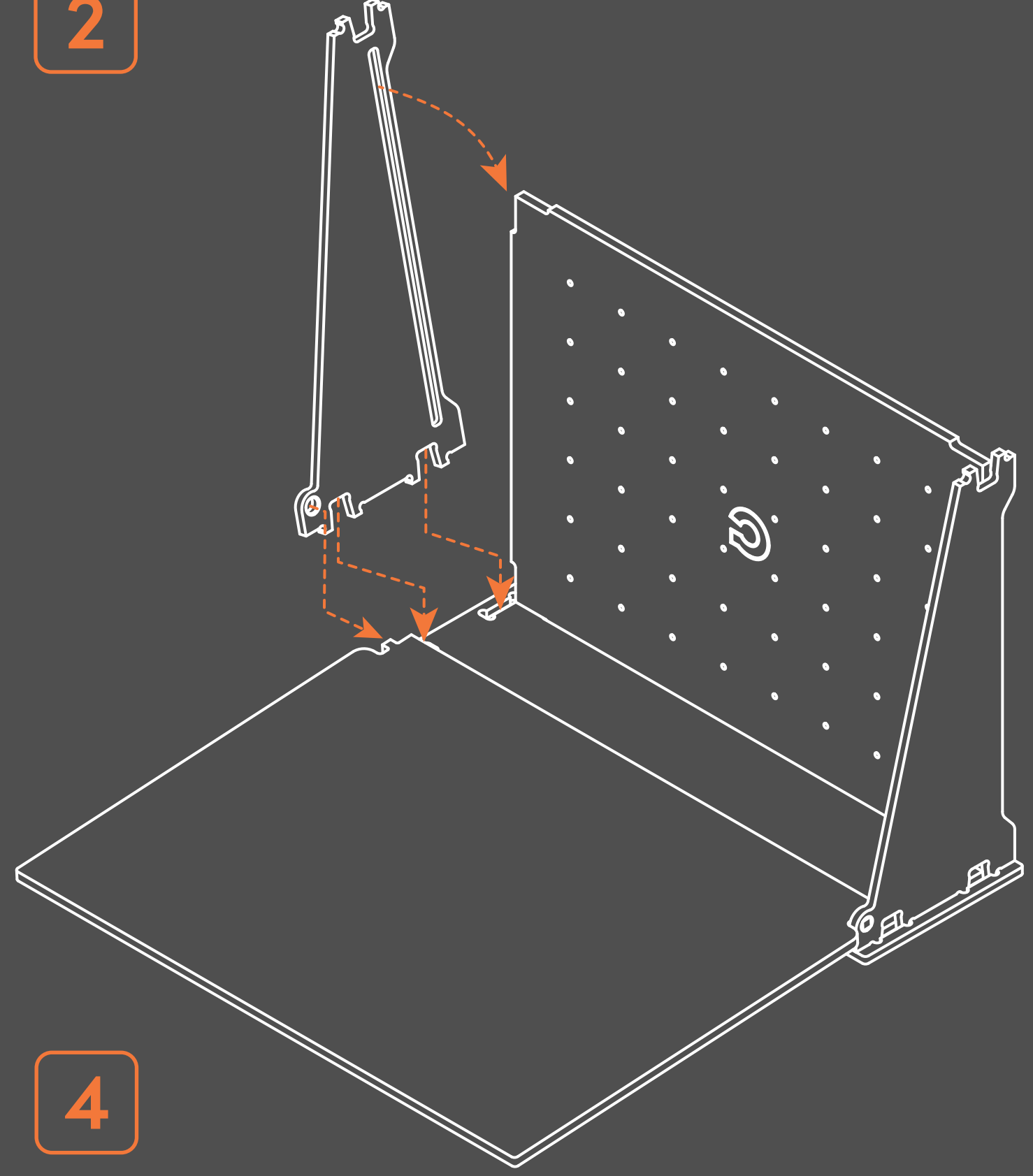
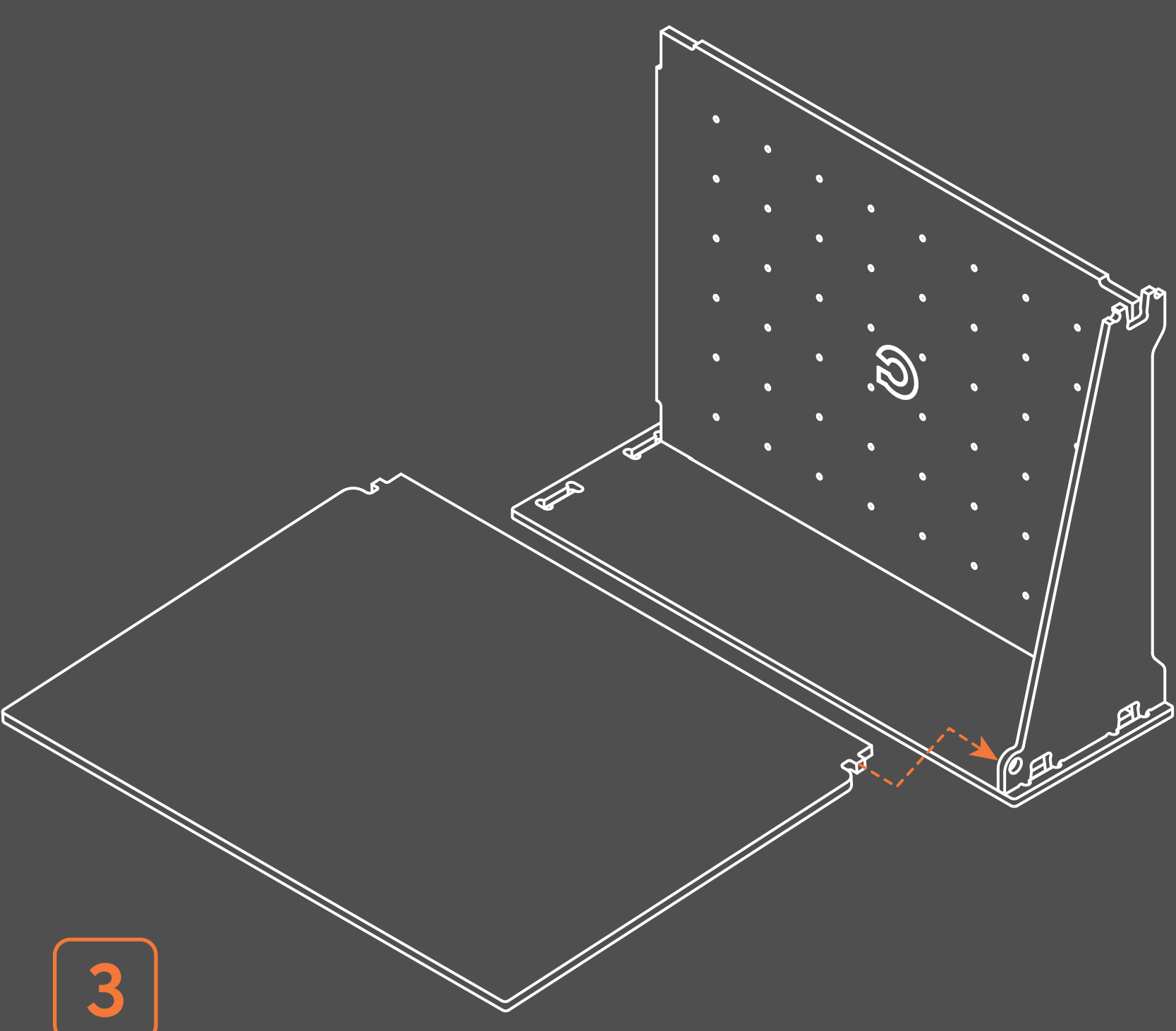
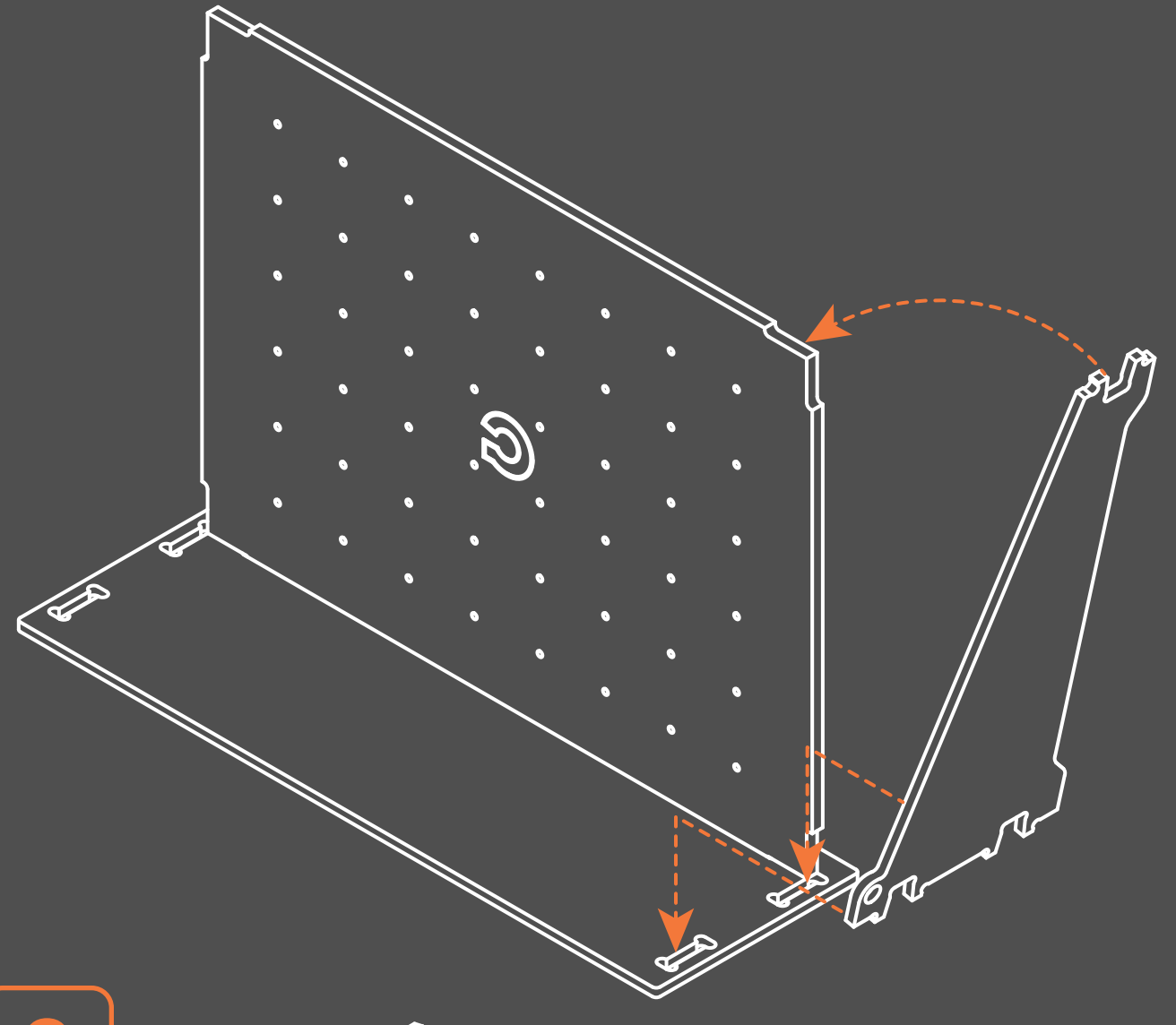
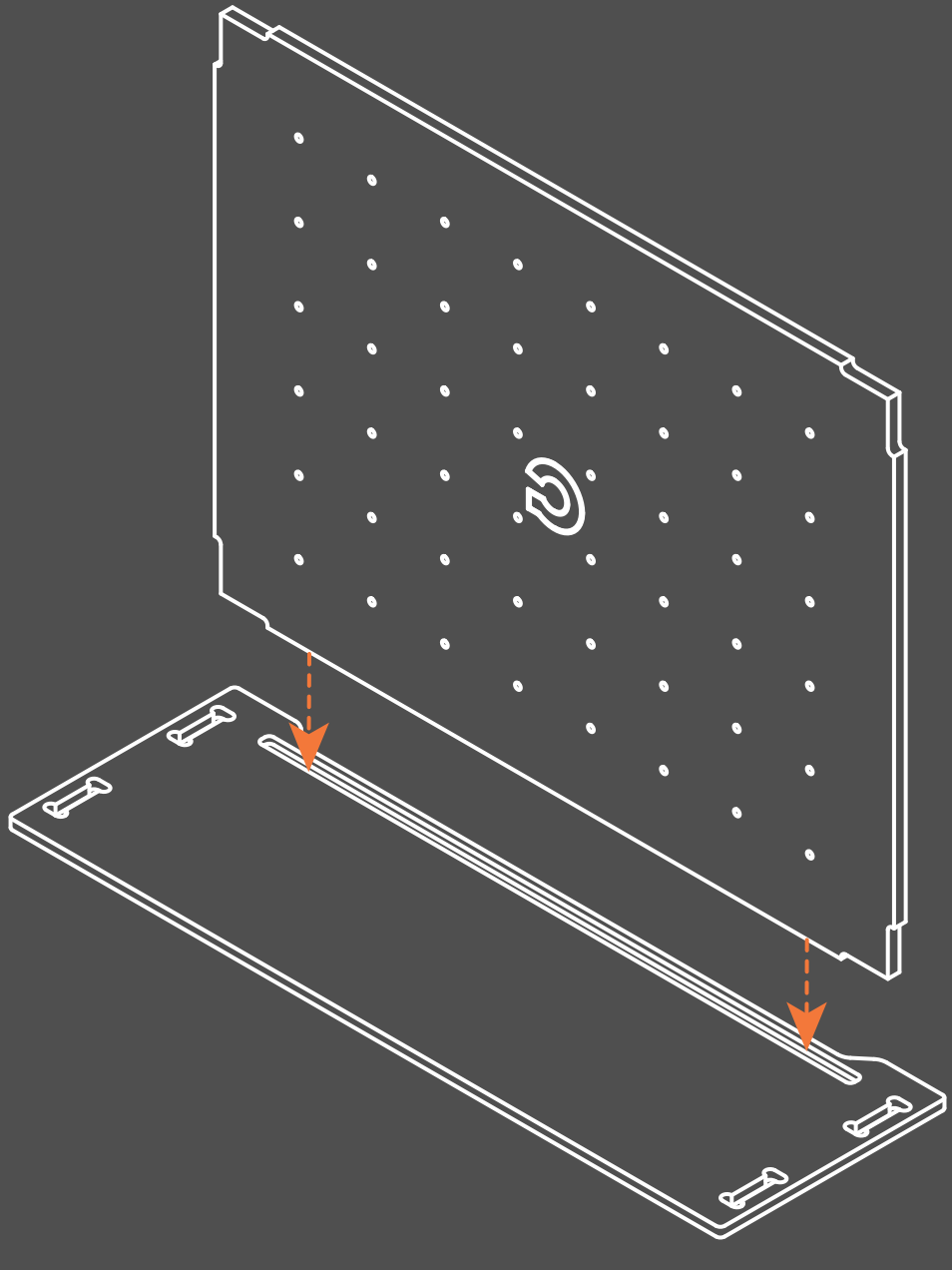
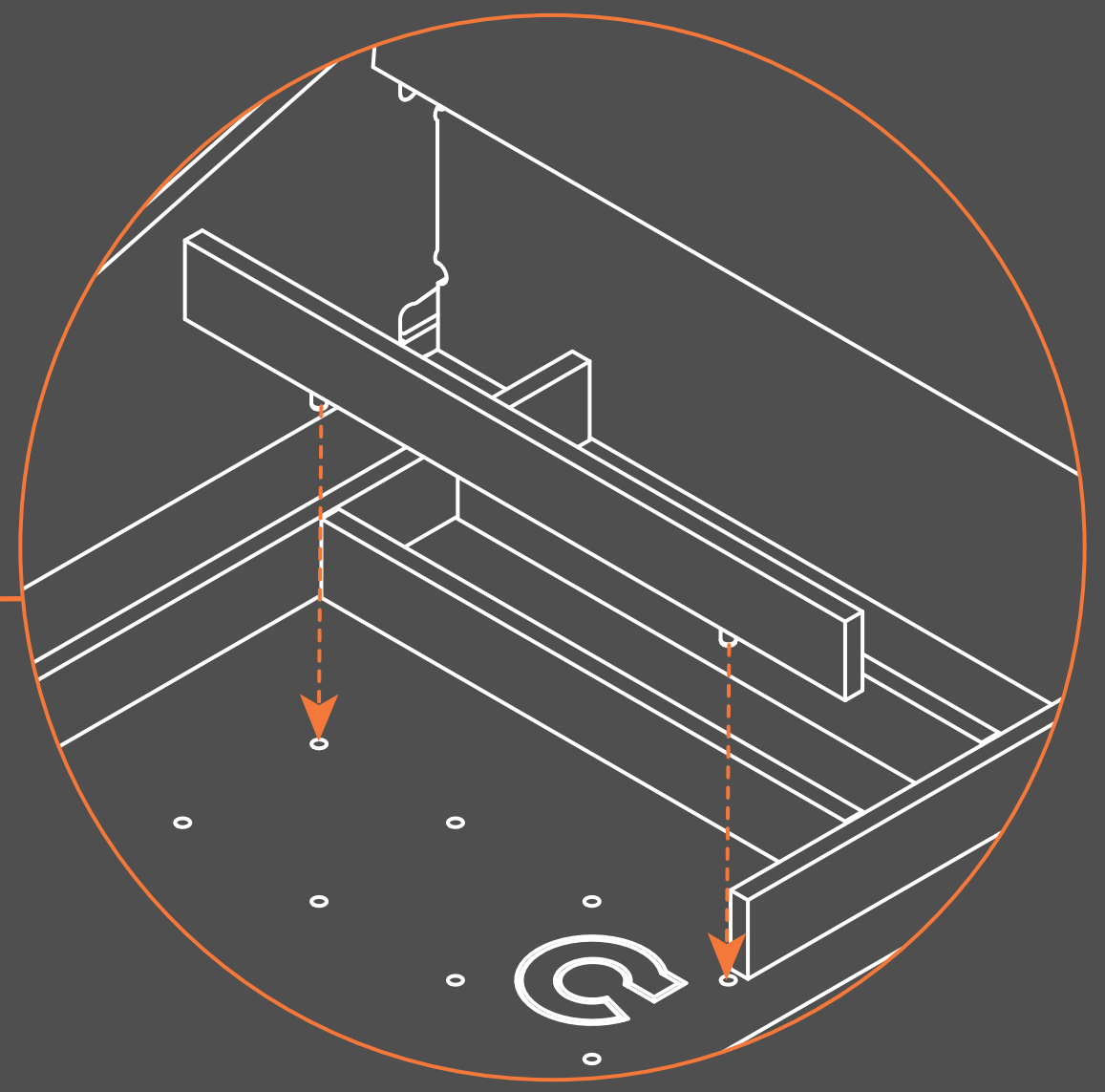
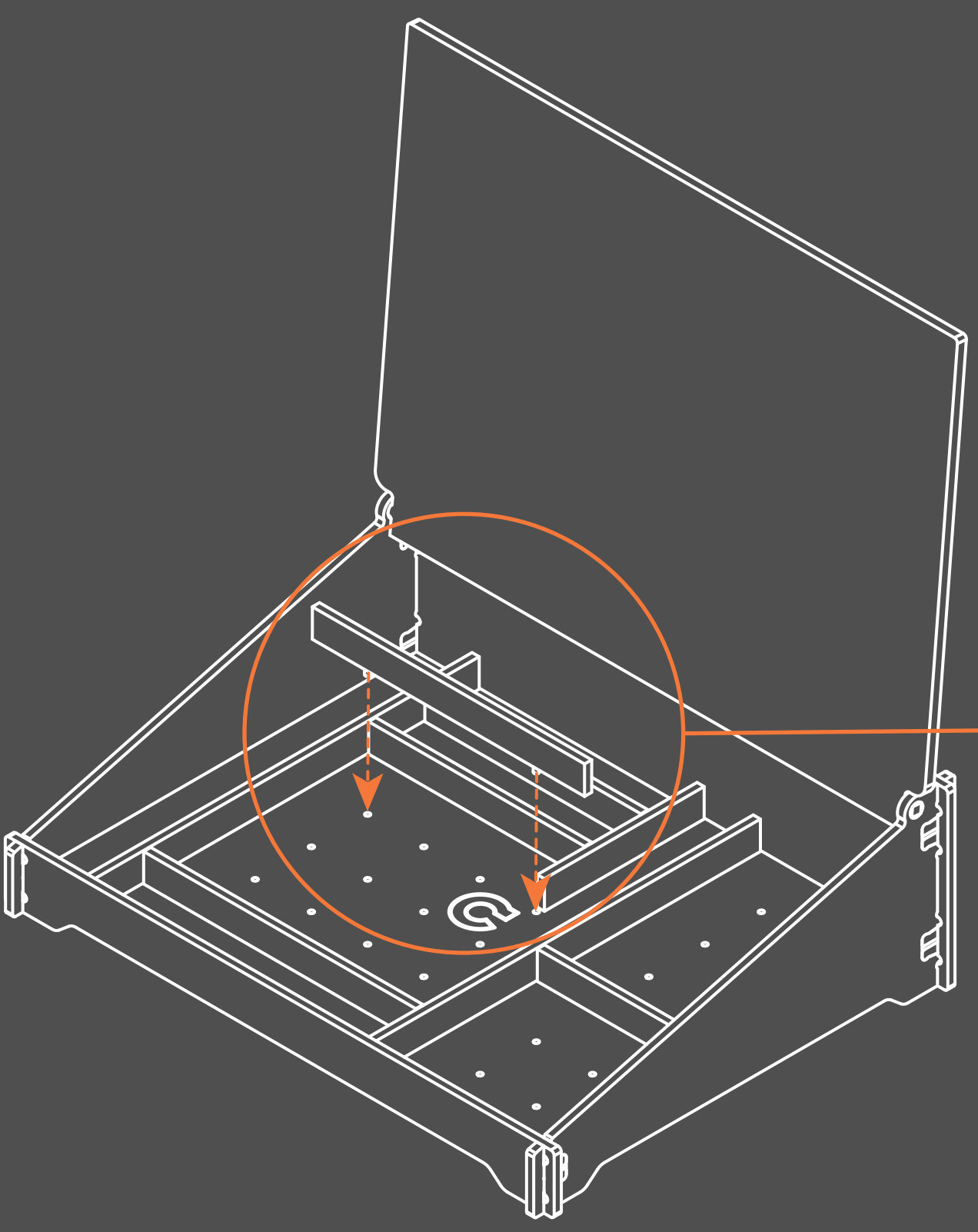




drawing box assembly



divider assembly (optional extra)



base tray assembly (optional extra)

